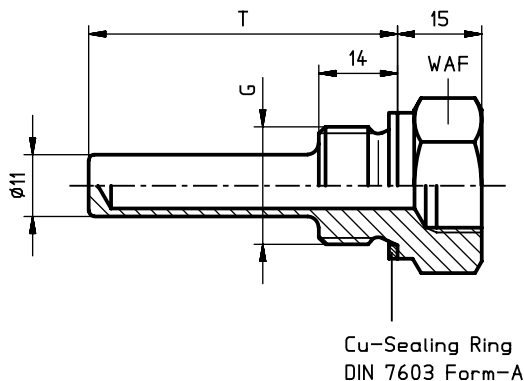
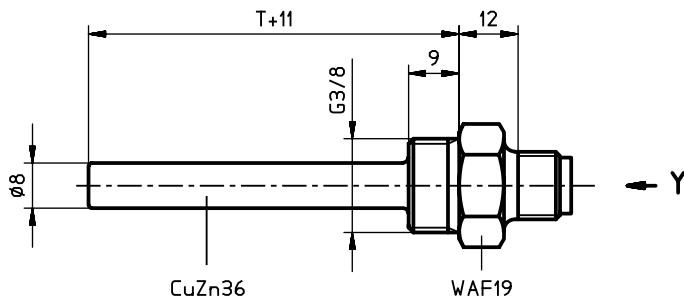


**Protective Tube**

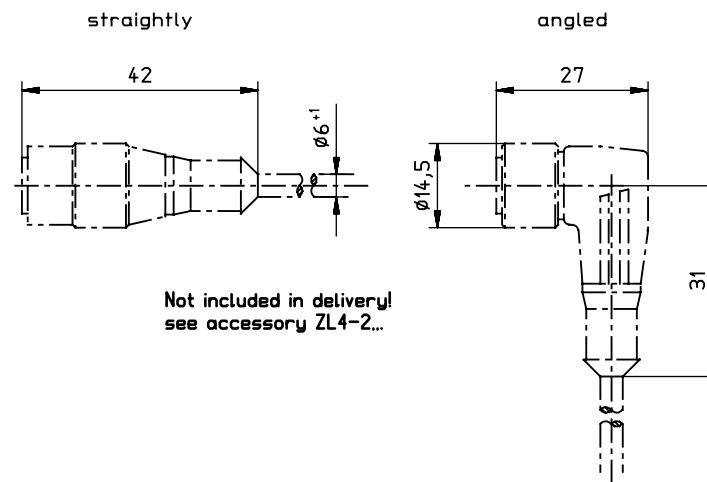


**Measuring Element**

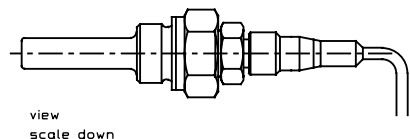


**Female Connector**

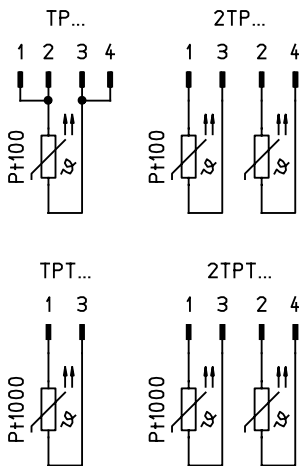
acc. EURO M12x1



**Measuring Element into Protective Tube**



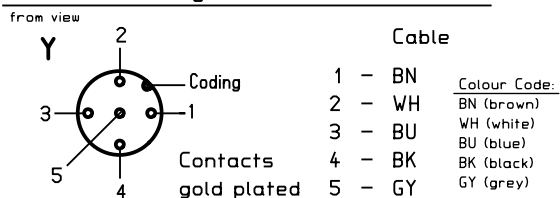
**Connection Diagram**



**Technical Details**

Platin-Sensor: acc. IEC 60751  
 Range: -25...120°C  
 Nominal resistance: Pt100 100Ω @ 0°C  
 Pt1000 1000Ω @ 0°C  
 Tolerance: Pt100 Class B (±0,12Ω/±0,3°C @ 0°C)  
 Pt1000 Class B (±1,20Ω/±0,3°C @ 0°C)  
 Response time: into water 0,4m/s ; with protective tube  
 t0,5=12s / t0,9=42s  
 Measuring current: Pt100 max. 5mA recommended 2,5mA  
 Pt1000 max. 0,5mA recommended 0,25mA  
 Insulation resistance: > 10MΩ @ 500V DC  
 Ambient temperature: at the measuring point: < 120°C  
 at the cable: < 90°C  
 Shelf temperature: -45°C...85°C  
 Humidity: RH max. 96%  
 Vibration strength: acc. IEC 60068-T2-6 4g @ 25...100Hz  
 Mounting position: any position possible (note possible liquid leakage)  
 Degree of protection: EN 60529 IP67 (open cable tails IP00)  
 Weight: approx. 70gr. according to the cable length  
 Approved by: GL LRS DNV

**Contact Arrangement Male-Connector**



For othersized screw thread and tube length please ask for.

Order-No.	Depth T	Sensor	Remark
2TPT81-75	75	2x Pt1000	
2TPT81	55	2x Pt1000	
2TP81-75	75	2x Pt100	old TP81-75
2TP81	55	2x Pt100	old TP81-1
TPT81-75	75	Pt1000	
TPT81	55	Pt1000	
TP81-75	75	Pt100	
TP81	55	Pt100	

Order-No.	Depth T	Thread G	Material	WAF
MX32-M26	55	M26x1,5	CuZn36	36
MX28-M16	55	M16x1,5	1.4305	24
MX28-M14	55	M14x1,5	1.4305	24
MX25-R12	55	G1/2	1.4305	27
MX24-M18	55	M18x1,5	CuZn36	27
MX24-R12-75	75	G1/2	CuZn36	27
MX24-R12	55	G1/2	CuZn36	27

No. of parts list				tolerances	surface	scale 1 : 1	10mm	weight
up to 50	± 0,1	acc. to						
above 50	± 0,2	DIN ISO 1302						
above 180	± 0,3							
date	name	Pt100 / Pt1000						
drawn 14.11.03	Reck	Temperature Sensor						
checked		Line TP8 / TPT8 ; for protective tube						
standard		CADdy-file: 602078E.PIC						
b MX28-M14 add. 20.08.12 Reck				NORIS		drawing No.		
a T to Type korr. 29.10.07 Reck						60.207.8E		
issue	amendment	date	name	origin:	replaces:		replaced by:	