

Resistance thermometer type TU 211

With inserted transmitter

Page : H 200 – 3e

Temperature range max. 200°C

Issue 07 / 12

This thermometer is a very well priced model of good quality with inserted transmitter and a simple to use plug connection. This connection is compatible to DIN 43650 and is coated with hardened gold for perfect contact.

The setting of resistance from Pt100 resistors in relation to the temperature becomes converted and transferred via transmitter into a corresponding DC - Signal of 4 - 20 mA. The transmitter range is adjusted by the factory.

Maximum temperature in the connection is 80°C.

Standard of this thermometers is the measuring resistor Pt 100 DIN IEC 751 in the tolerance class B and for a temperature range from -50...+200°C.

Protection tube mat. no. 1.4571

Special notes

- ⇒ Inserted transmitter
- ⇒ Cable connection instead of plug connection
- ⇒ Connections all in hardened gold
- ⇒ Cable connection fully rotate able
- ⇒ Strongly built for all purposes
- ⇒ Safety ti IP 65 standard

Technical Data

Sensor : Pt100, DIN EN 60751
Measuring span : Minimum 20°C
Analogue output : 4...20 mA 2-wire design
Load : 750 Ohm (24 VDC)
Supply : 10 bis 35 VDC
Measuring deviation : +/- 0,5%
Linearity error : < 0,1 % FS
Sensor break : > 20 mA
Sensor short circuit : < 4 mA

Ambient temperature : -40...+85°C

Power supply effect : < 50 ppm / V

Emission : EN 50081-1

Interference resistance : EN 50082-2

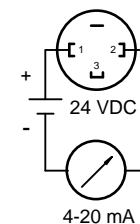
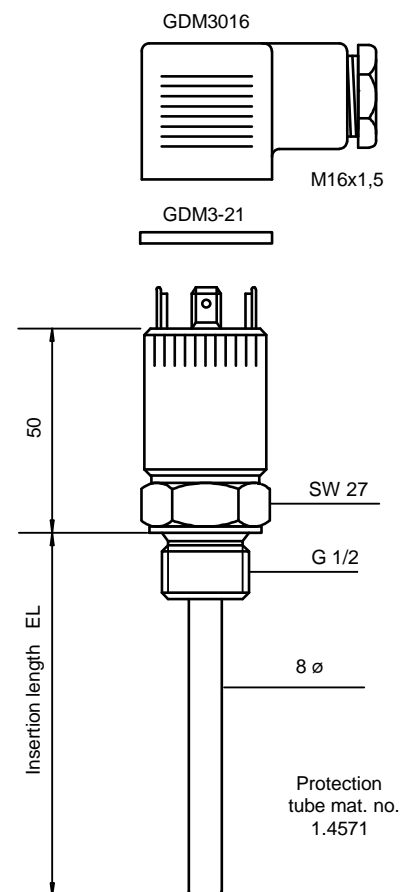
Example of order :

TU211, fitting length ..., measuring range ..., thread ...

Accessories

Connecting plug : Article-No. GDM3016

Gasket : Article-No. GDM3-21



max. temp. at contactpoint 85°C

These thermometer is available in different length and threads.

Possible threads : G 1/2B; G 3/4B; M18x1,5; 1/2" NPT



PLÖGER SENSOR GMBH

Tel. 040 / 299 48 91
Fax. 040 / 299 33 88
www.ploeger-sensor.de