

Screw - in resistance thermometer Type 167

developed for middle mechanical load, with replaceable measuring insert

Certified by : DNV GL , LR

Resistance thermometer with connection head form B, firmly welded thread, measuring insert replaceable. Protection category IP 54.

Blank tube: Type TK167, according to drawing H 401-167, protection tube material 1.4541 / 1.4571,

maximum temperature in connection head is 80 °C

Measuring insert:

Type TF7, according to drawing H 601-7, for connection head form B.

Standard of this thermometers is the measuring resistor Pt100 DIN EN60751 in the tolerance class B and for a temperature range from -50 ... +200°C.

Protection tube material 1.4541 / 1.4571

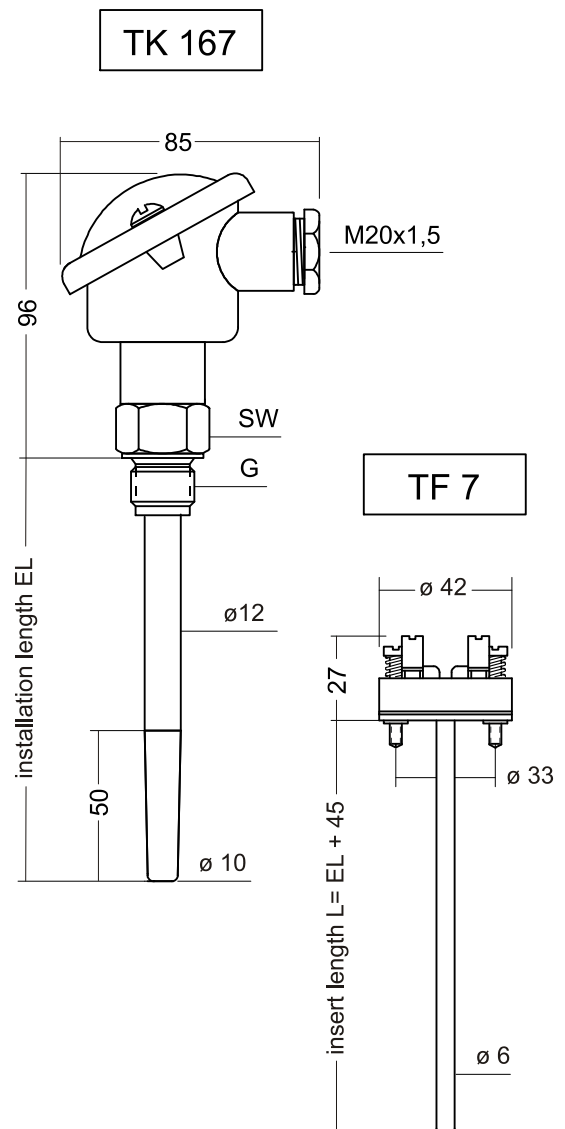
Response time: in water $t_{0,5} = 28 \text{ s}$ $t_{0,9} = 92 \text{ s}$

Vibration test: 8g

Blank tube Type TK 167		
EL mm	screw-in thread G1/2 SW 27	screw-in thread G3/4 SW 32
	Article - No	Article - No
50	TS167.001	TS167.007
100	TS167.002	TS167.008
150	TS167.003	TS167.009
200	TS167.004	TS167.010
250	TS167.005	TS167.011
Type	TSK8-167-...-R12	TSK8-167-...-R34
Other threads on request		

Measuring insert Type TF 7 d = 6 mm 1 x Pt100				
EL mm	2- wire technology	3- wire technology	4- wire technology	L Insert length
	Article - No	Article - No	Article - No	
50	TF007.0201	TF007.0636	TF007.0213	95 mm
100	TF007.0003	TF007.0571	TF007.0214	145 mm
150	TF007.0045	TF007.0637	TF007.0156	195 mm
200	TF007.0129	TF007.0638	TF007.0215	245 mm
250	TF007.0031	TF007.0639	TF007.0216	295 mm
Type	TMP2-7-...-d6	TMPv2-7-...-d6	TMPz2-7-...-d6	

Measuring insert Type TF 7 d = 6 mm 2 x Pt100				
EL mm	2- wire technology	3- wire technology		L Insert length
	Article - No	Article - No		
50	TF007.0224	TF007.0283		95 mm
100	TF007.0070	TF007.0641		145 mm
150	TF007.0225	TF007.0466		195 mm
200	TF007.0226	TF007.0643		245 mm
250	TF007.0227	TF007.0645		295 mm
Type	TM2P2-7-...	TM2Pv2-7-...		



These resistance thermometer types are also available in different lengths, with other resistors and as thermocouple too.

Installation of a 2-wire transducer with output 4-20 mA possible.