

Diesel exhaust gas thermocouples Type 21

with protection tube, designed for medium mechanical stress

Certified by : DNV GL , LR

Diesel exhaust gas thermocouples with protection tube and replaceable measuring insert consisting of:
Protection tube, Type TS21, according to drawing S201-21-1, material 1.4541 / 1.4571.
 Temperatures up to 800°C

Measuring insert, Type TW21 or TG21, according to drawing S 201-21-2, material 1.4541 / 1.4571.
 Protection category Temperature for element „J “ up to 600°C, for element „ K “ up to 800°C.
 IP 66 Maximum temperature in the connection part 200°C.

Response time: in water $t_{0,5} = 17 \text{ s}$ $t_{0,9} = 75 \text{ s}$

Vibration test: 20g up to EL=150mm; 15g up to EL=200mm

Protection tube Type TS 21				
EL mm	Screw-in thread		Screw-in thread	
	G1/2	SW 27	G3/4	SW 32
	Article - No		Article - No	
50	TS021.001		TS021.006	
100	TS021.014		TS021.007	
150	TS021.003		TS021.008	
200	TS021.004		TS021.009	
Type	TS8-21-...-R12		TS8-21-...-R34	
Other threads on request				

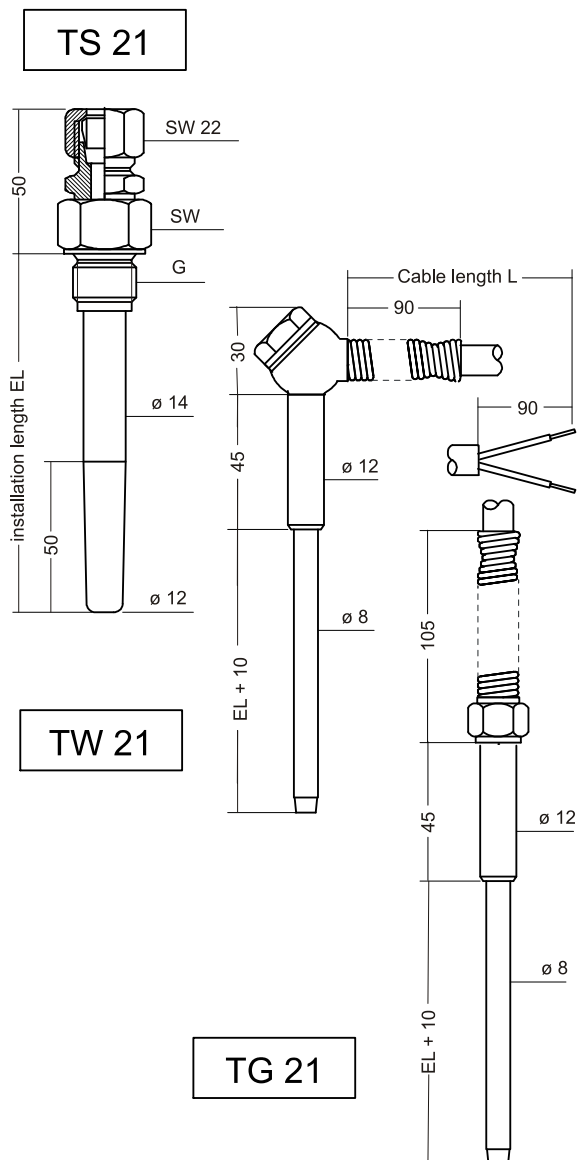
Measuring insert Type TW 21				
EL mm	1x Fe-CuNi	1x NiCr-Ni	2x NiCr-Ni	
	Article - No	Article - No	Article - No	Article - No
50	TM021.001	TM021.017	TM021.043	
100	TM021.002	TM021.014	TM021.044	
150	TM021.003	TM021.015	TM021.045	
200	TM021.004	TM021.018	TM021.046	
Type	TWJ6-21-...	TWK8-21-...	TW2K8-21-...	

Measuring insert Type TG 21				
EL mm	1x Fe-CuNi	1x NiCr-Ni	2x NiCr-Ni	
	Article - No	Article - No	Article - No	Article - No
50	TM021.008	TM021.022	TM021.050	
100	TM021.009	TM021.023	TM021.051	
150	TM021.010	TM021.024	TM021.052	
200	TM021.011	TM021.025	TM021.053	
Type	TGJ6-21-...	TGK8-21-...	TG2K8-21-...	

The above items are not included
 Connection line !
 This according the required length, please indicate
 separately.

Matching connection line	
J / K : Isulation Silicone / Silicone / metal braid 200°C max.	
ELEMENT	Part-No
1x Fe - CuNi (J)	LS2-1,5JP
1x NiCr - Ni (K)	LS2-1,5KP
2x NiCr - Ni (2K)	LS4-0,75KAP

These thermocouple types are also available in different length, with other threads and as resistance thermometers too.



PLÖGER SENSOR GMBH

Tel. 040 / 299 48 91
 Fax. 040 / 299 33 88
 www.ploeger-sensor.de