

Diesel exhaust gas thermocouples Type 26

with protection tube, designed for medium mechanical stress

Certified by : DNV GL , LR

Diesel exhaust gas thermocouples with protection tube and replaceable measuring insert consisting of:

Protection tube, Type TS26, with extension tube 90mm, according to drawing S231-26-1, material 1.4541 / 1.4571, temperatures up to 800°C
Measuring insert, Type TW26 or TG element „J “ up to 600°C, for element „ K “ up to 800°C. Maximum temperature range in the connecting part 200°C.
 degree of protection IP 66

Response time: in water $t_{0,5} = 17 \text{ s}$ $t_{0,9} = 75 \text{ s}$
Vibration test: 15g up to EL=150mm; 10g up to EL=200mm

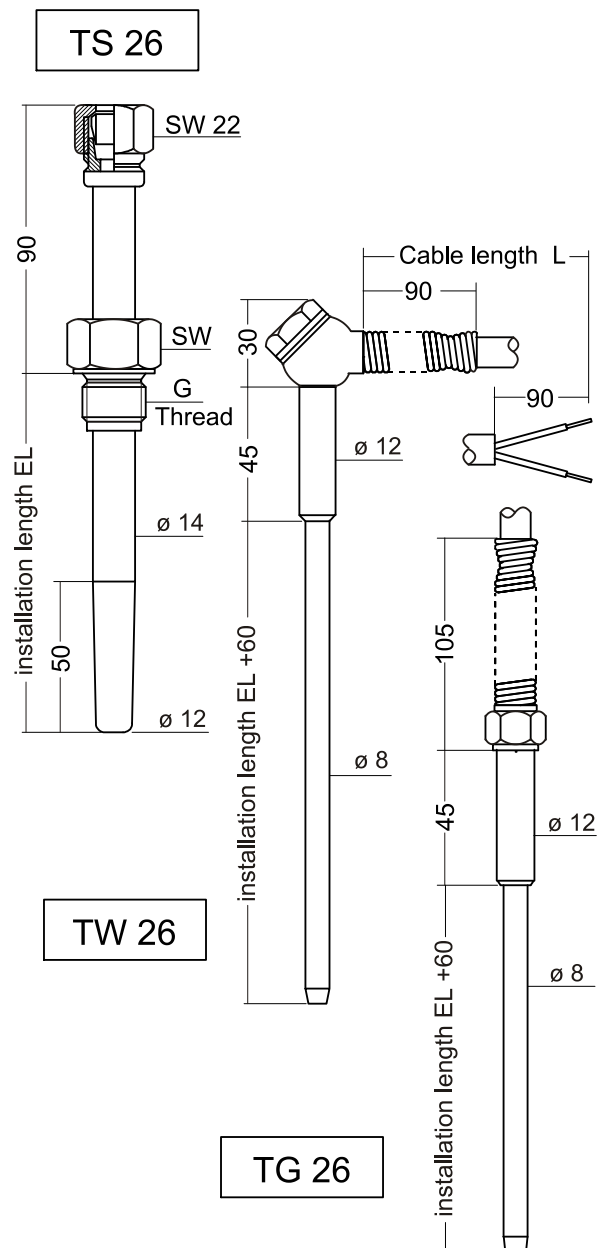
Protection tube Type TS 26				
EL mm	Screw-in thread G1/2 SW 27		Screw-in thread G3/4 SW 32	
	Article - No		Article - No	
50	TS026.001		TS026.007	
100	TS026.002		TS026.008	
150	TS026.003		TS026.009	
200	TS026.004		TS026.010	
Type	TS8-26-...-R12		TS8-26-...-R34	
Other threads on request				

Measuring insert Type TW 26				
EL mm	1x Fe-CuNi	1x NiCr-Ni	2x NiCr-Ni	
	Article - No	Article - No	Article - No	Article - No
50	TM026.001	TM026.007	TM026.031	
100	TM026.002	TM026.008	TM026.032	
150	TM026.003	TM026.009	TM026.033	
200	TM026.004	TM026.010	TM026.034	
Type	TWJ6-26-...	TWK8-26-...	TW2K8-26-...	

Measuring insert Type TG 26				
EL mm	1x Fe-CuNi	1x NiCr-Ni	2x NiCr-Ni	
	Article - No	Article - No	Article - No	Article - No
50	TM026.013	TM026.019	TM026.043	
100	TM026.014	TM026.020	TM026.044	
150	TM026.015	TM026.021	TM026.045	
200	TM026.016	TM026.022	TM026.049	
Type	TGJ6-26-...	TGK8-26-...	TG2K8-26-...	

The above items are not included
 Connection line !
 This according the required length, please indicate
 separately.

Matching connection line	
J / K : Isulation Silicone / Silicone / metal braid 200°C max.	
ELEMENT	Part-No
1x Fe - CuNi (J)	LS2-1,5JP
1x NiCr - Ni (K)	LS2-1,5KP
2x NiCr - Ni (2K)	LS4-0,75KAP



These thermocouple types are also available in different length, with other thread and as resistance thermometers too.