

# Diesel exhaust gas thermocouples type 26v

with protection tube, designed for strong mechanical stress

**Certified by : DNV GL , LR**

Diesel exhaust gas thermocouples with protection tube and replaceable measuring insert consisting of:

- Protection tube,** Type TS26v, with extension tube 90mm, according to drawing S231-26v, material 1.4541 / 1.4571, temperatures up to 800°C.
- Measuring insert,** Type TW26 or TG26, according to drawing S 231-26-2, material 1.4541 / 1.4571. Temperature for element „J “ up to 600°C, for element „ K “ up to 800°C.
- degree of protection IP66 Maximum temperature range in the connecting part 200°C.
- Response time:** in water  $t_{0,5} = 12,5 \text{ s}$   $t_{0,9} = 41,5 \text{ s}$
- Vibration test:** 20g up to EL=150mm; 15g up to EL=200mm

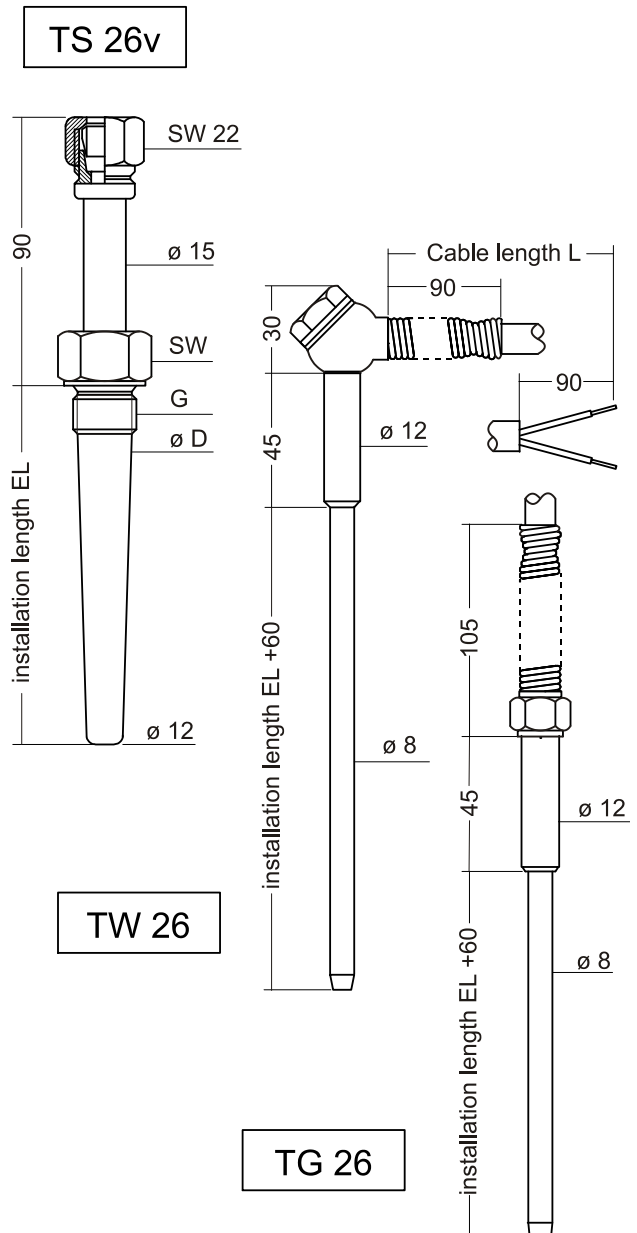
Protection tube Type TS 26v				
EL mm	Screw-in thread G ½		Screw-in thread G ¾	
	SW 27	D ø 17,5	SW 32	D ø 23
	Article - No		Article - No	
100	TS026v.001		TS026v.005	
150	TS026v.002		TS026v.006	
200	TS026v.003		TS026v.007	
Type	TS8-26v-...-R12		TS8-26v-...-R34	

Measuring insert Type TW 26			
EL mm	1x Fe-CuNi	1x NiCr-Ni	2x NiCr-Ni
	Article - No	Article - No	Article - No
100	TM026.002	TM026.008	TM026.032
150	TM026.003	TM026.009	TM026.033
200	TM026.004	TM026.010	TM026.034
Type	TWJ6-26-...	TWK8-26-...	TW2K8-26-...

Measuring insert Type TG 26			
EL mm	1x Fe-CuNi	1x NiCr-Ni	2x NiCr-Ni
	Article - No	Article - No	Article - No
100	TM026.014	TM026.020	TM026.044
150	TM026.015	TM026.021	TM026.045
200	TM026.016	TM026.022	TM026.049
Type	TGJ6-26-...	TGK8-26-...	TG2K8-26-...

**!** The above items are not included  
Connection line !  
This according the required length, please indicate  
separately.

Matching connection line	
J / K : Isulation Silicone / Silicone / metal braid 200°C max.	
ELEMENT	Part-No
1x Fe - CuNi (J)	LS2-1,5JP
1x NiCr - Ni (K)	LS2-1,5KP
2x NiCr - Ni (2K)	LS4-0,75KAP



These thermocouple types are also available in different length, with other thread and as resistance thermometers too.